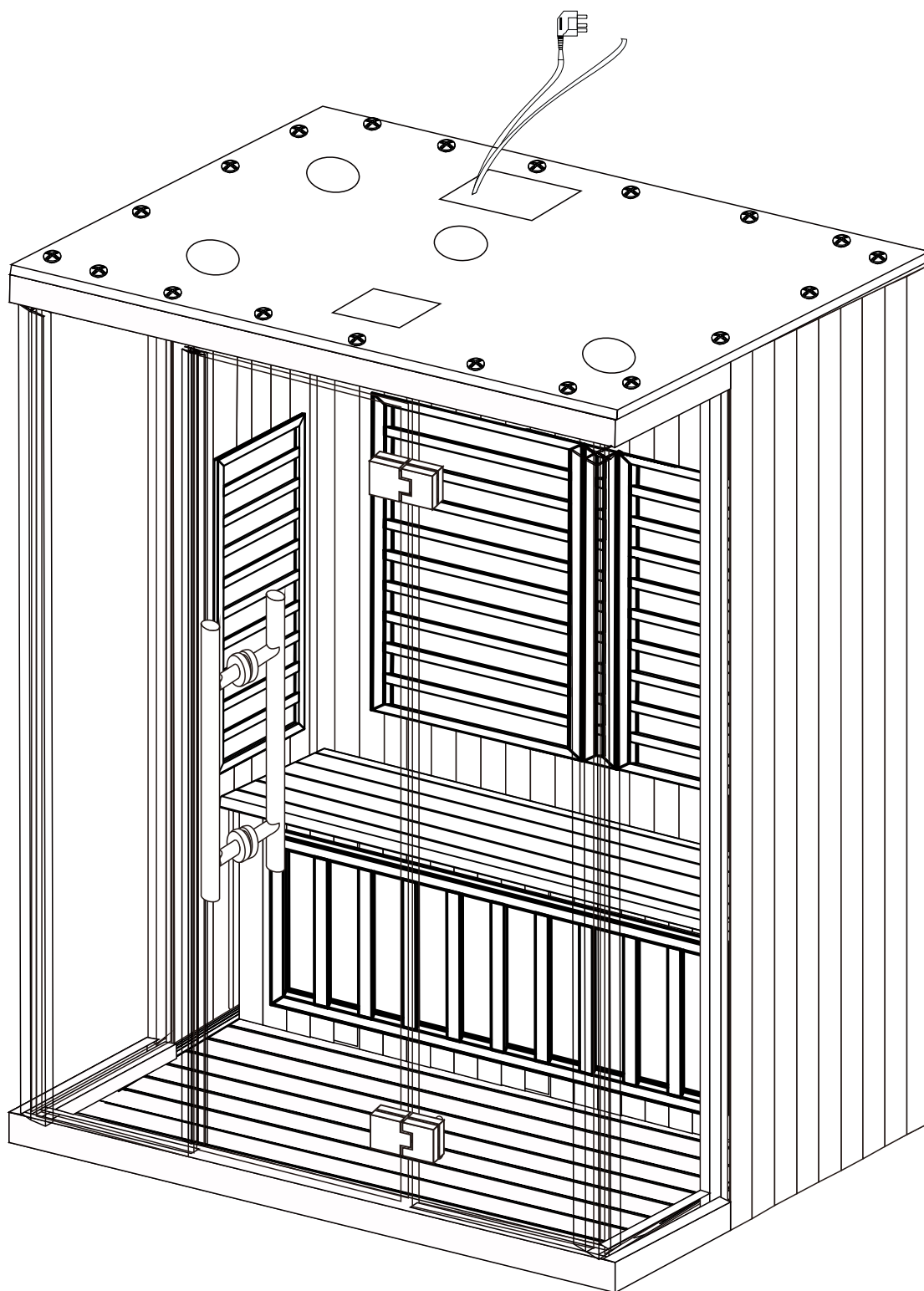
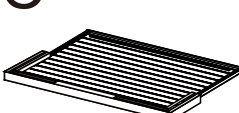


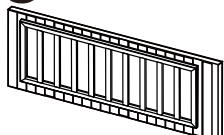

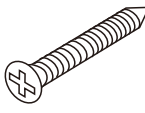



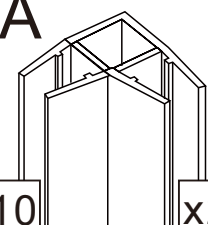



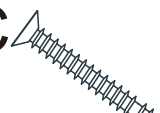
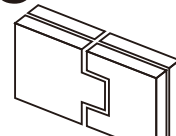

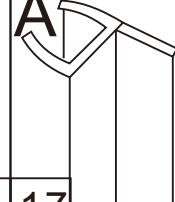
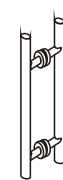
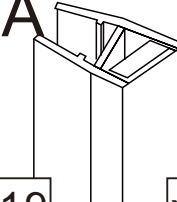



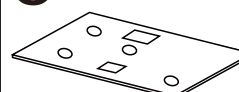
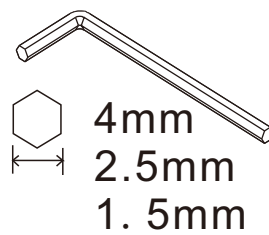
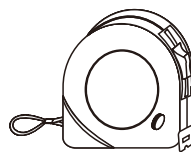
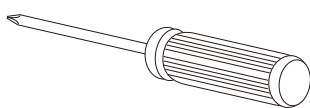


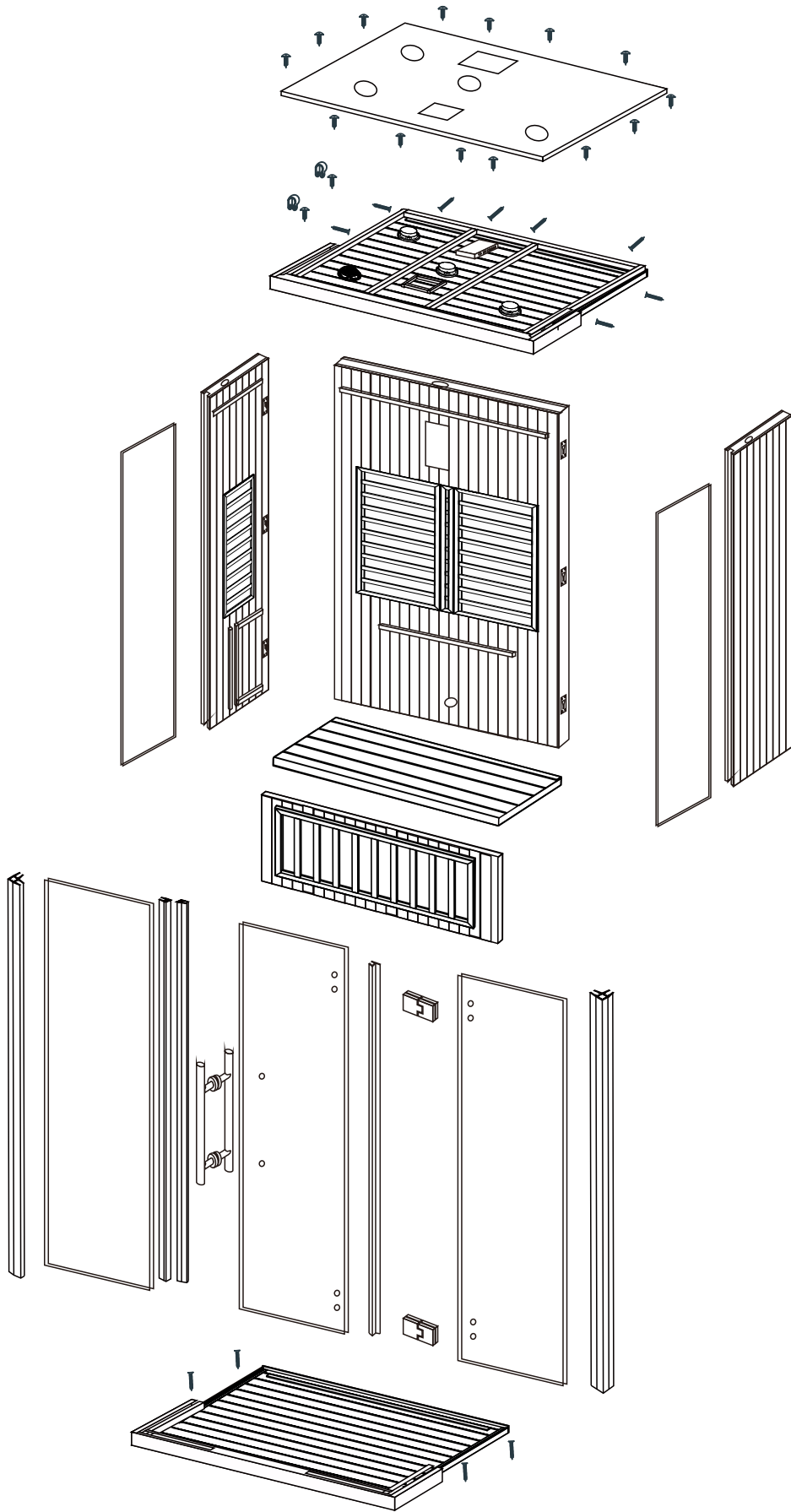
Model 01-K5

1300*1100*2000mm

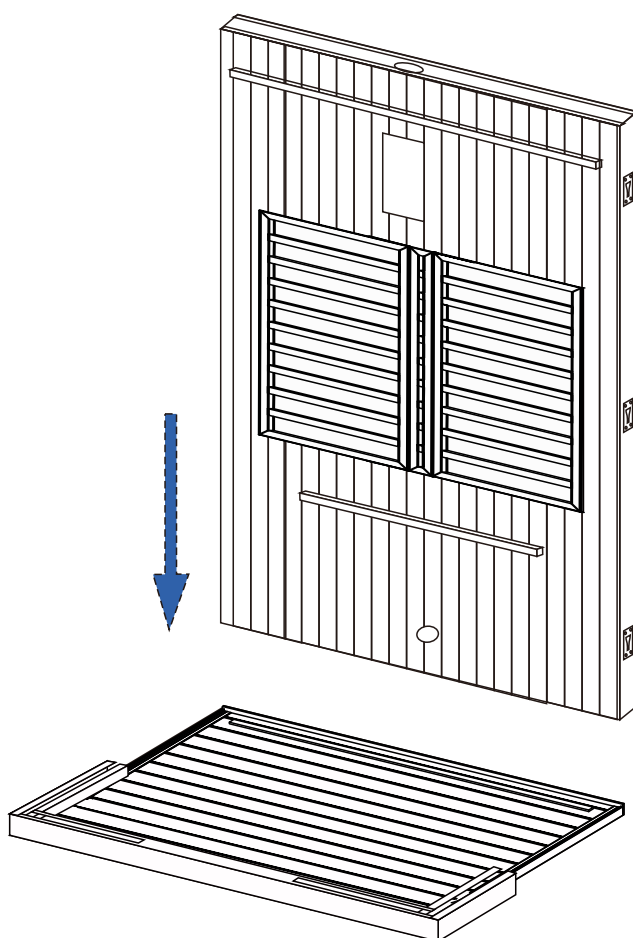
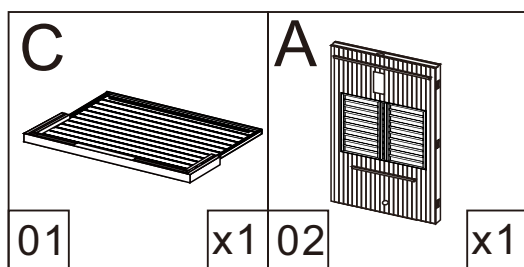


C 	A 	B 	C 	B 
01 x1	02 x1	03 x1	04 x1	05 x1
C  ST 4x40	C 	C 	D 	A 
06 x4	07 x1	08 x1	09 x2	10 x2
D 	D 	C 	C  ST 5x60	C 
11 x1	12 x1	13 x1	14 x10	15 x2
A 	A 	C 	A 	C  ST 4x12
16 x1	17 x1	18 x1	19 x2	20 x35
C  ø10Wire fixer	C  ø8Wire fixer	C 		
21 x3	22 x10	23 x1		

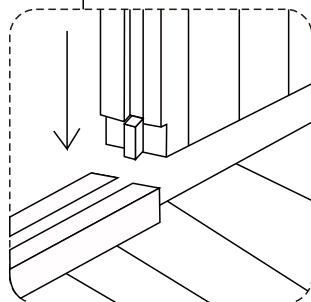
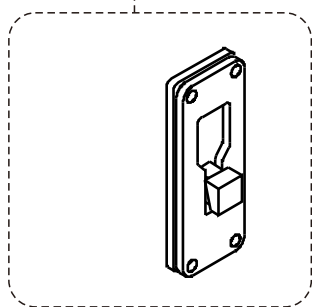
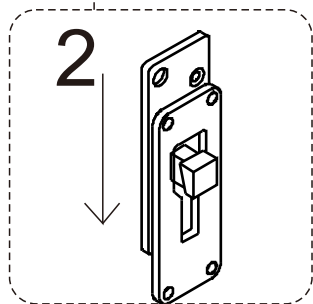
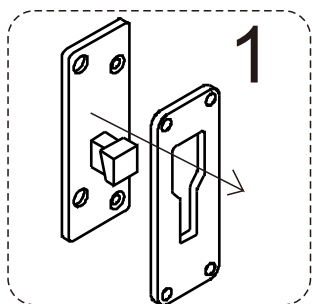
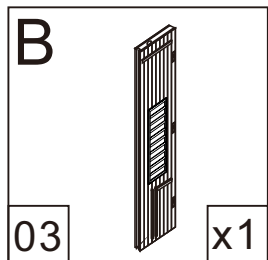




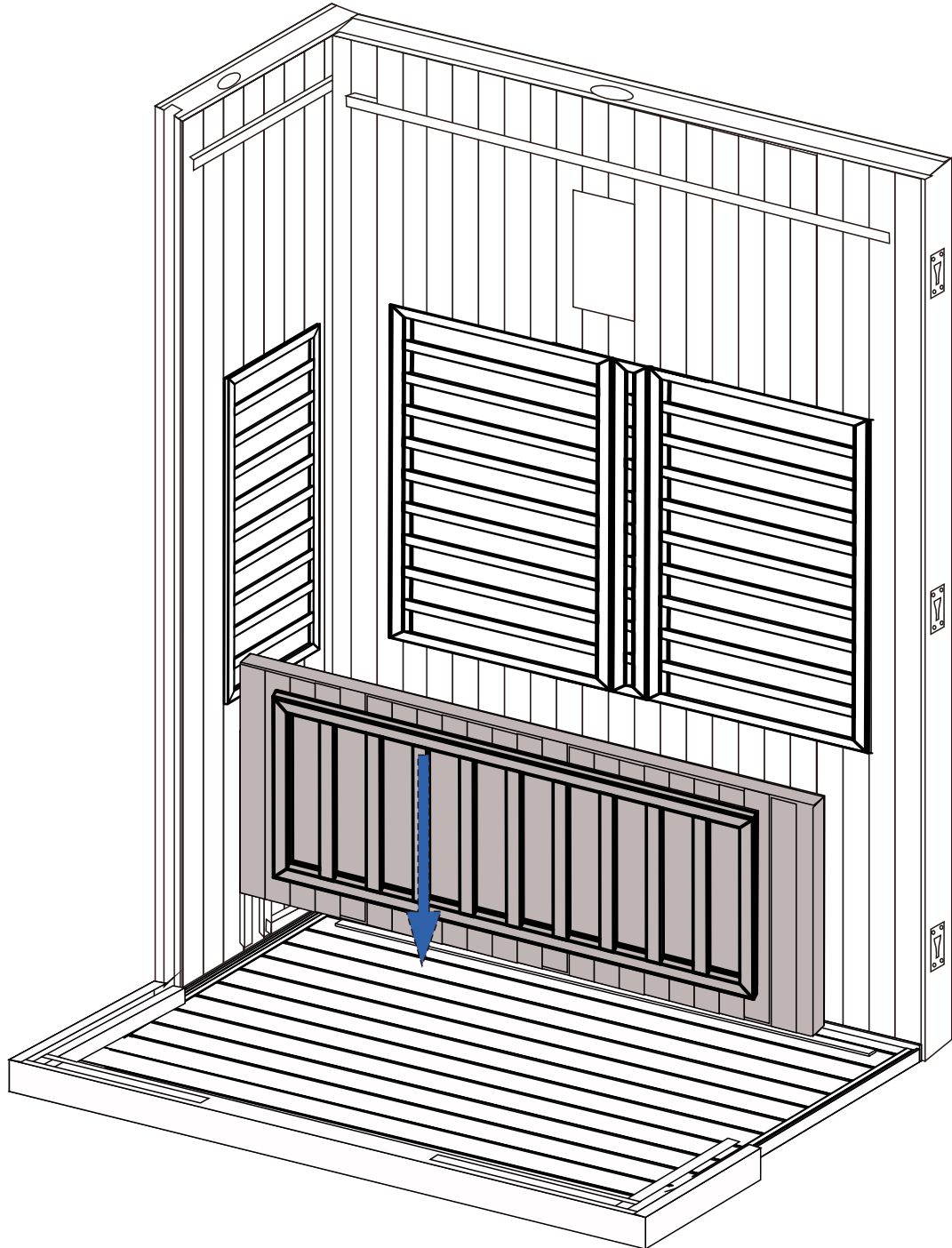
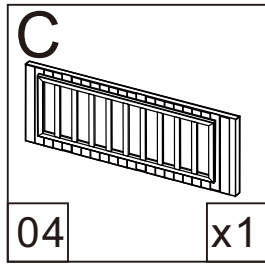
Step:01



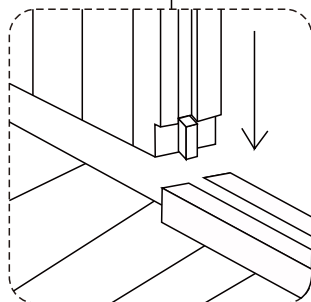
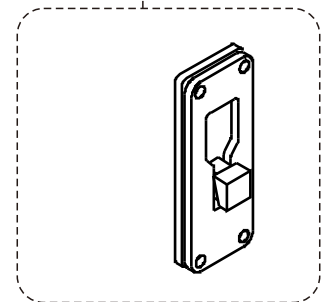
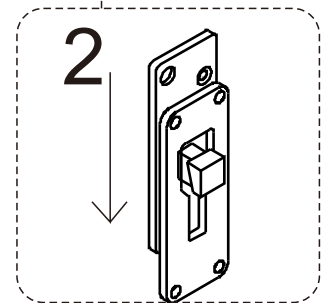
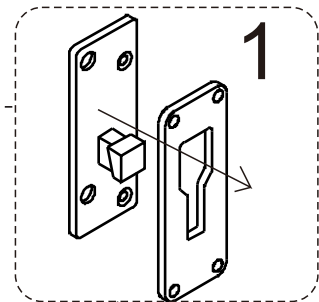
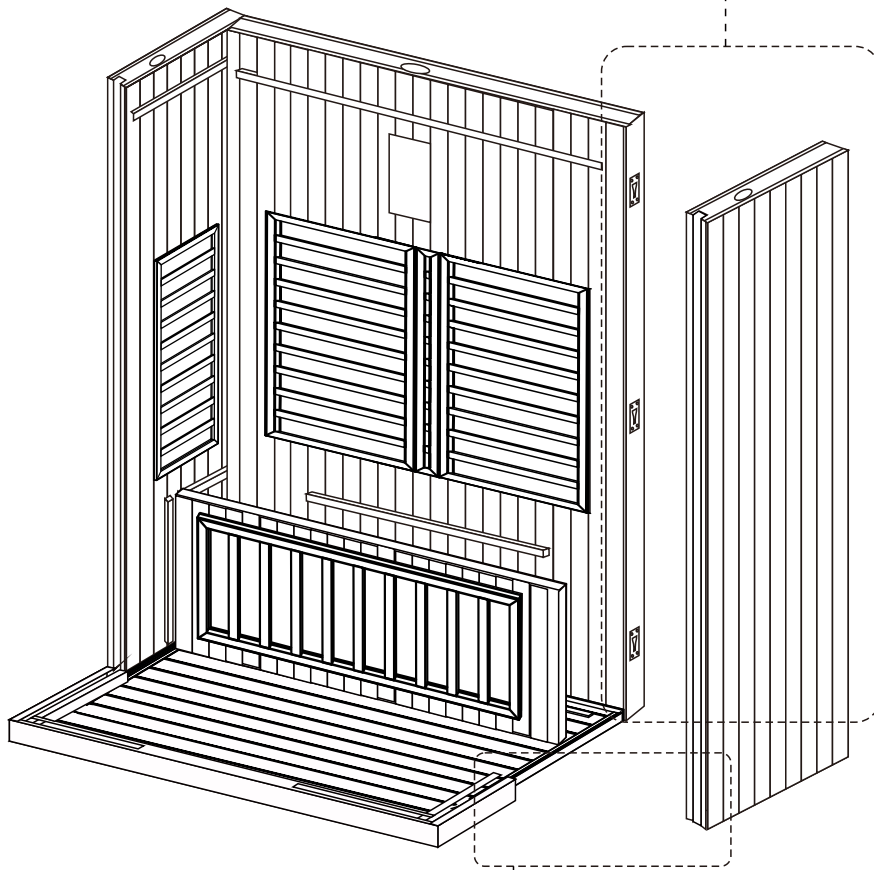
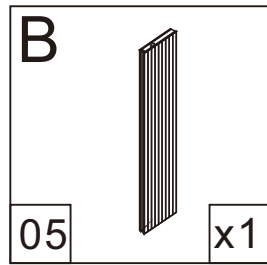
Step:02



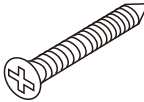
Step:03

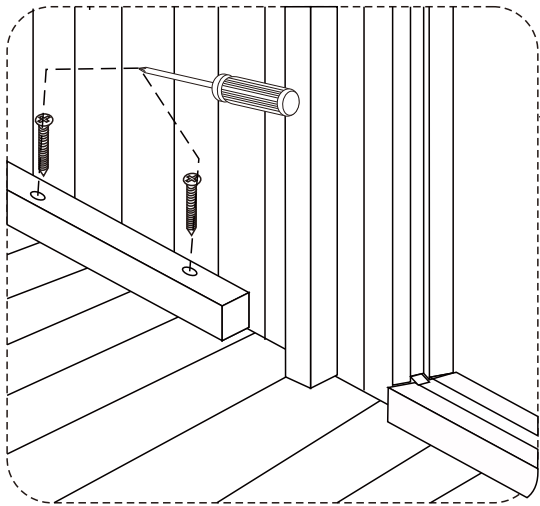
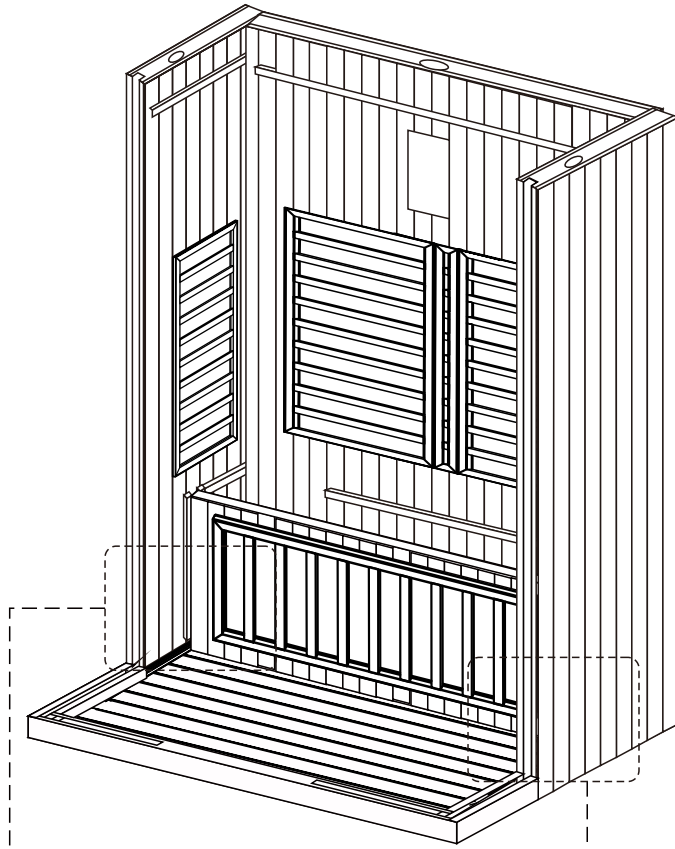


Step:04

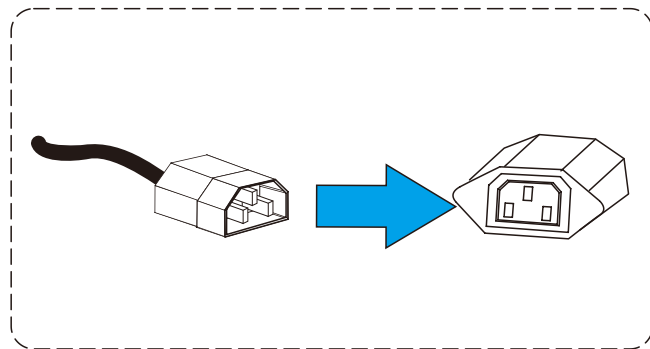
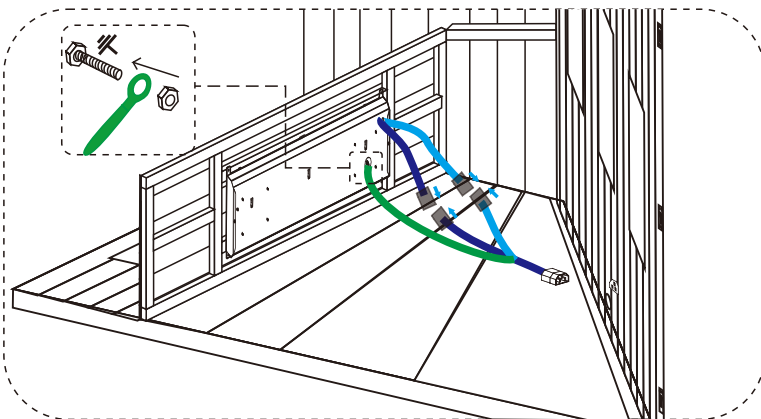
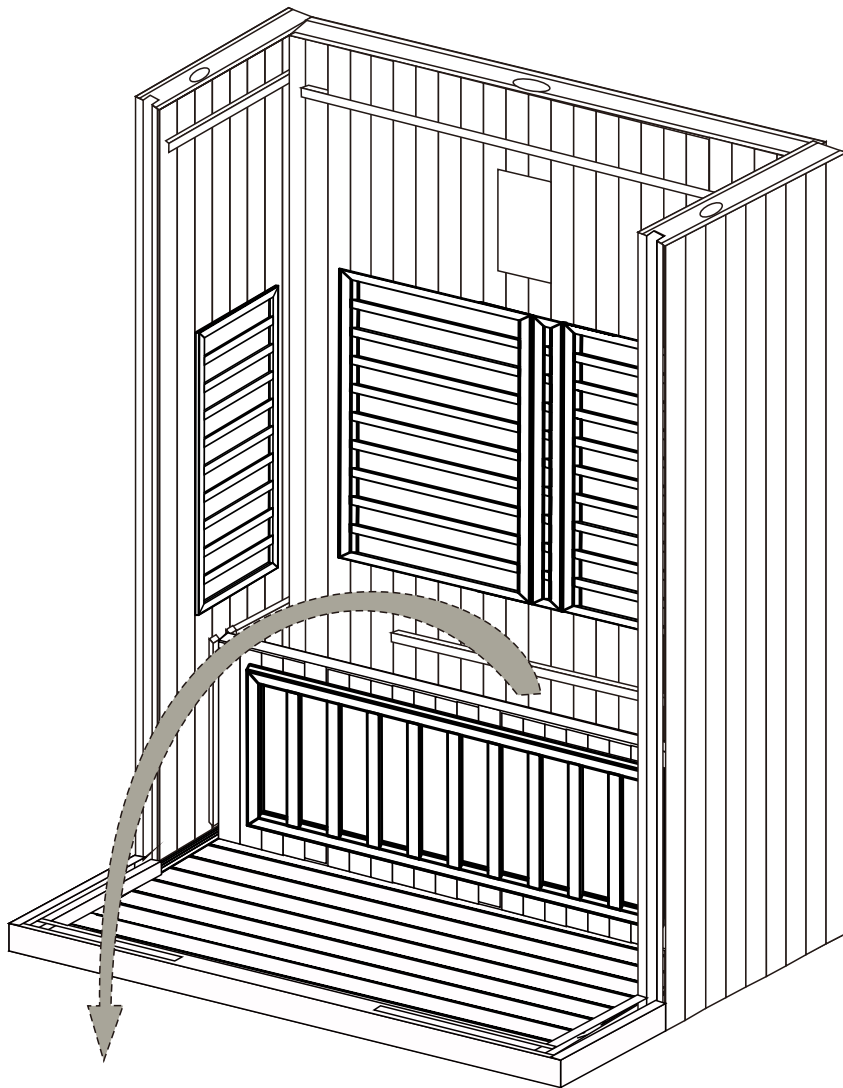
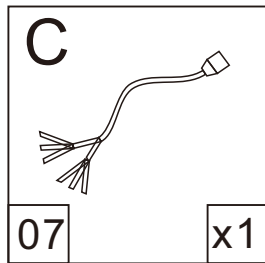


Step:05

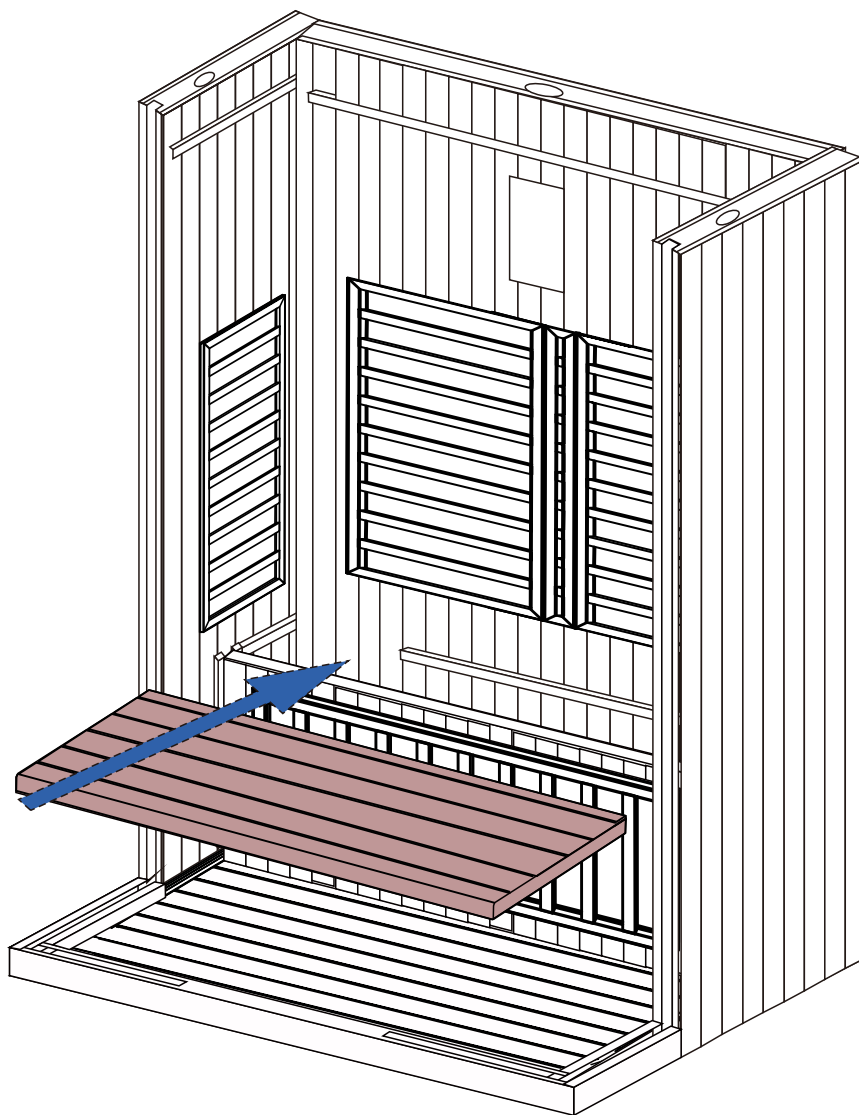
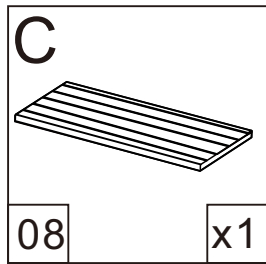
C 
ST 4x40
06 x4



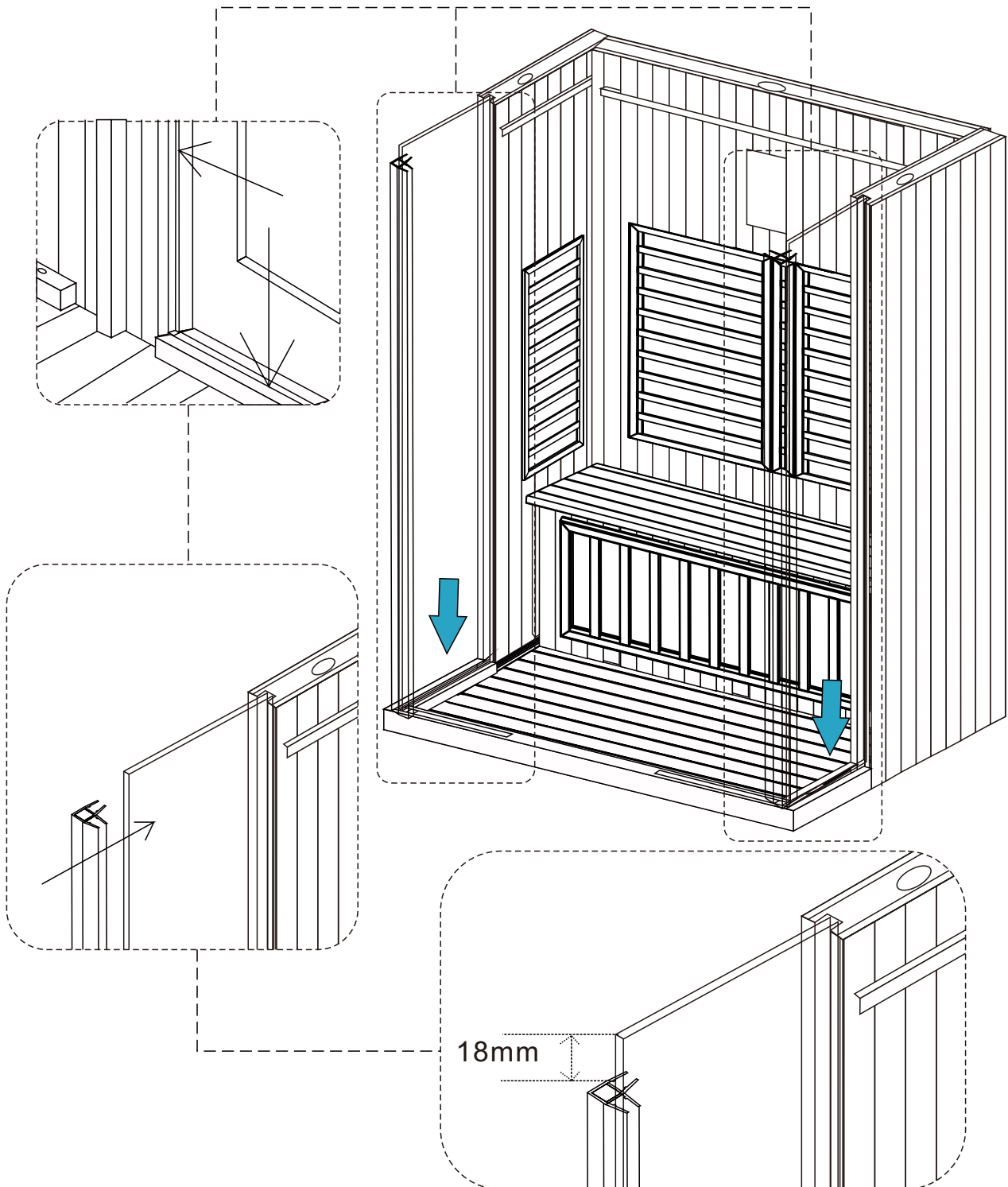
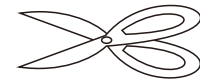
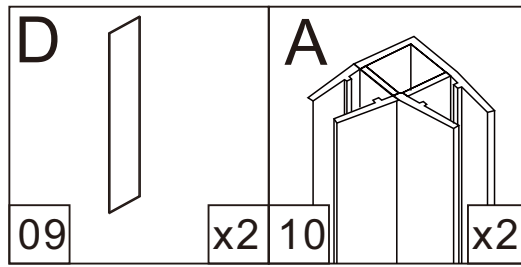
Step: 06



Step:07

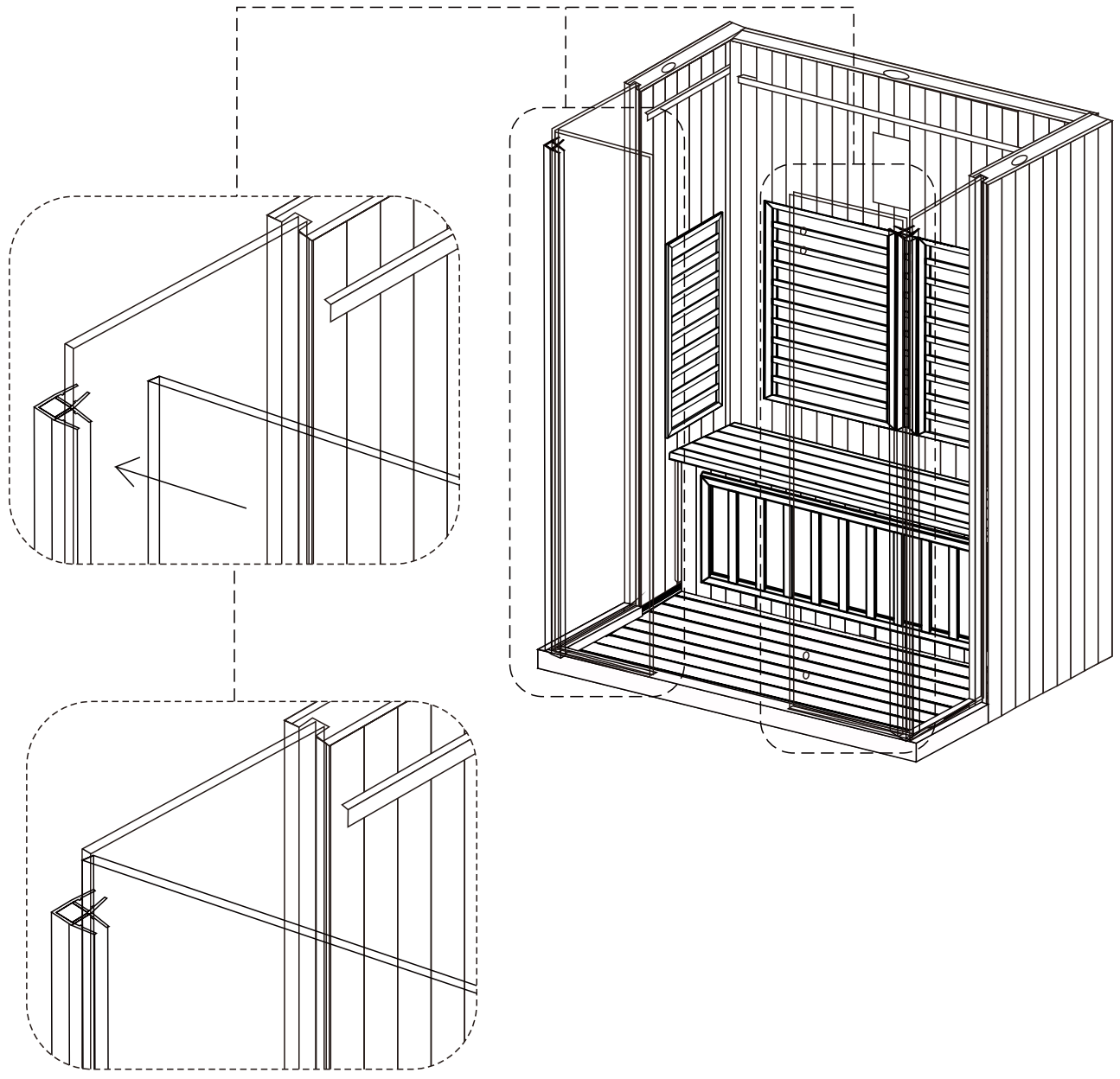
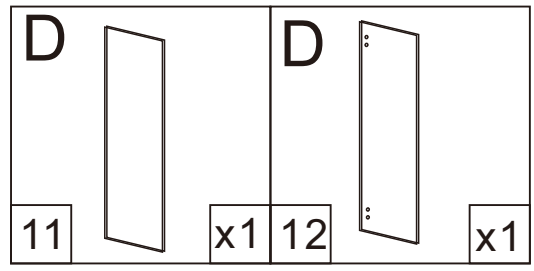


Step:08

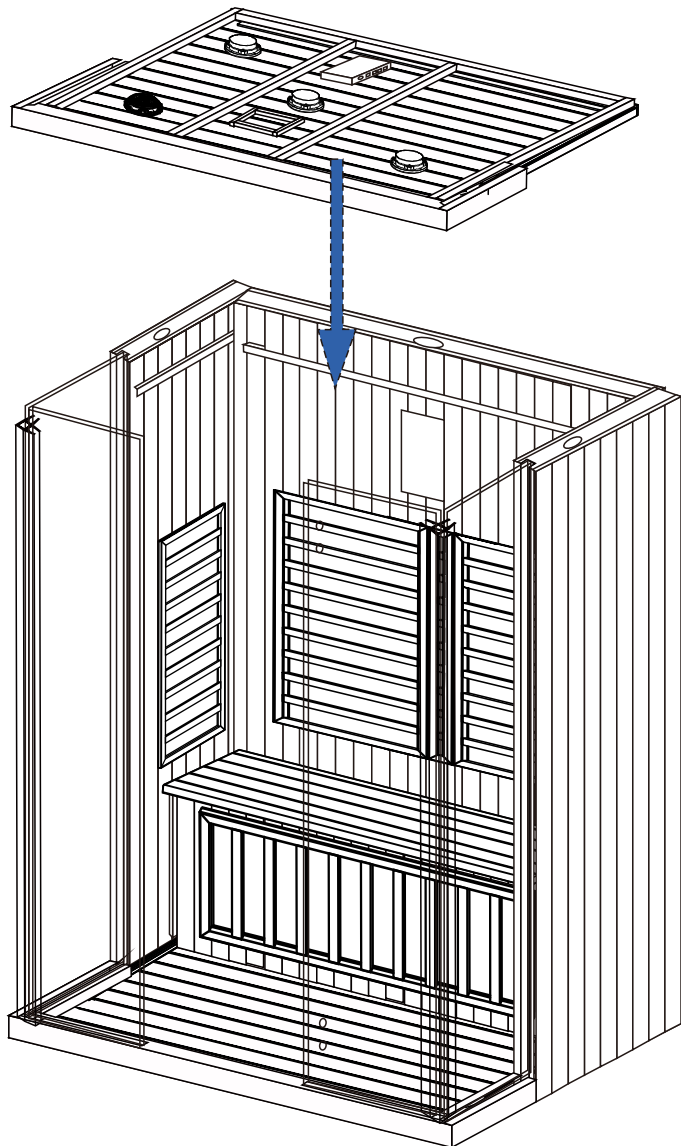
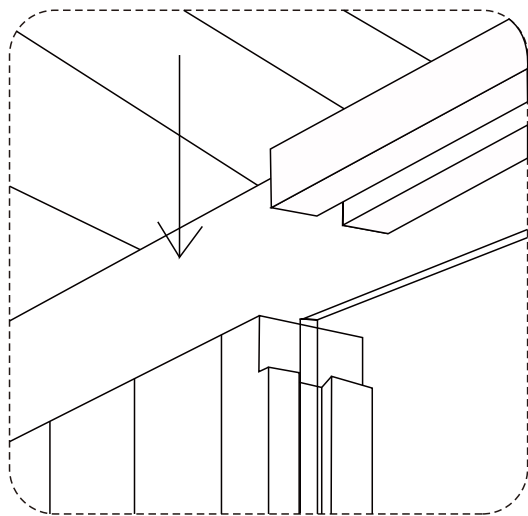
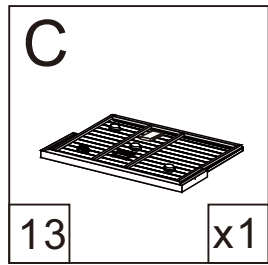


P10

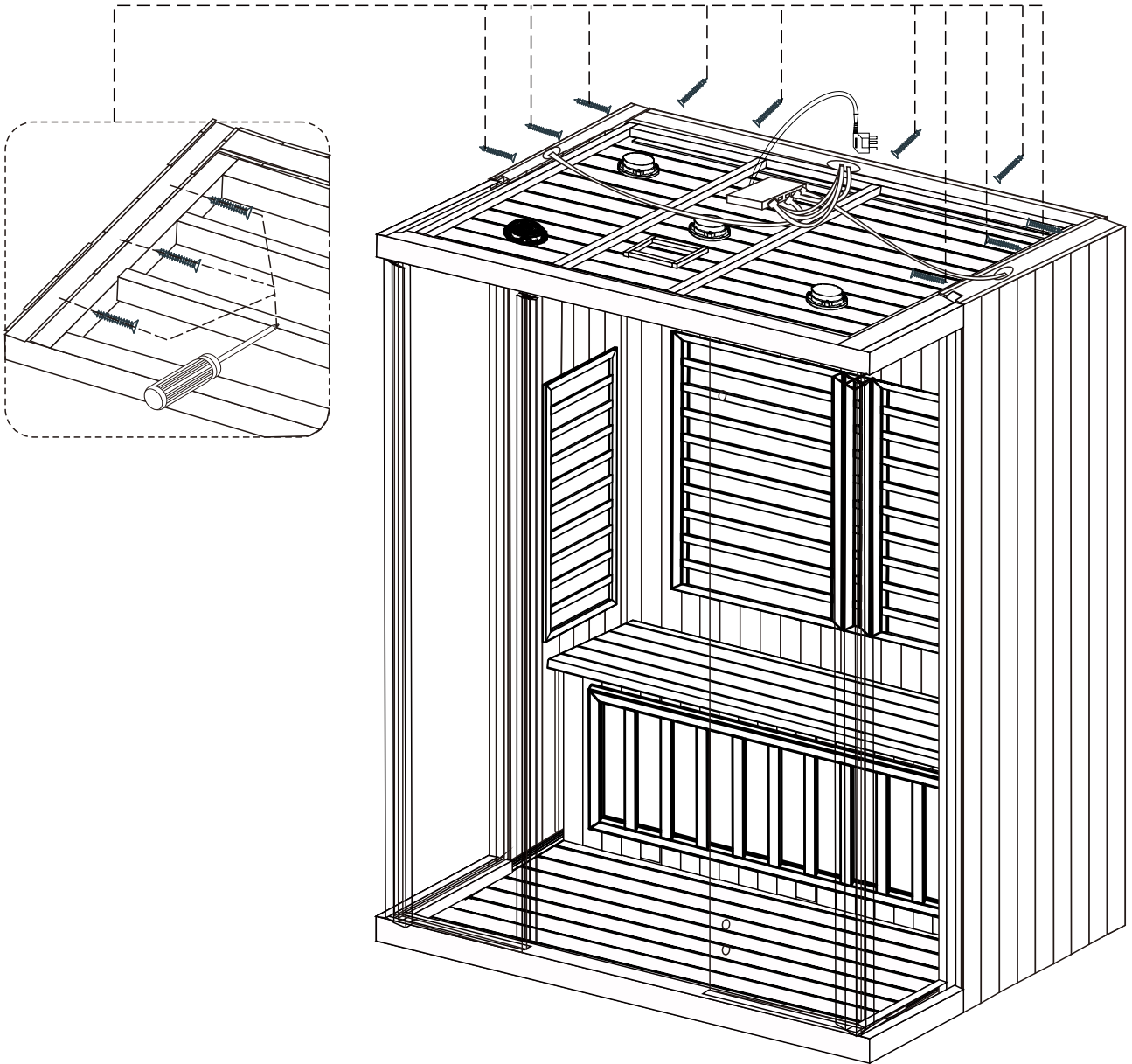
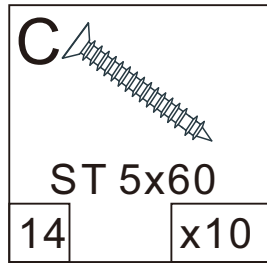
Step:09



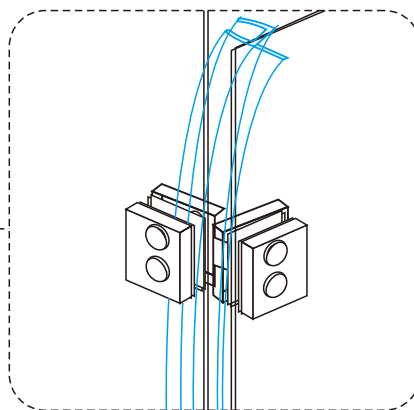
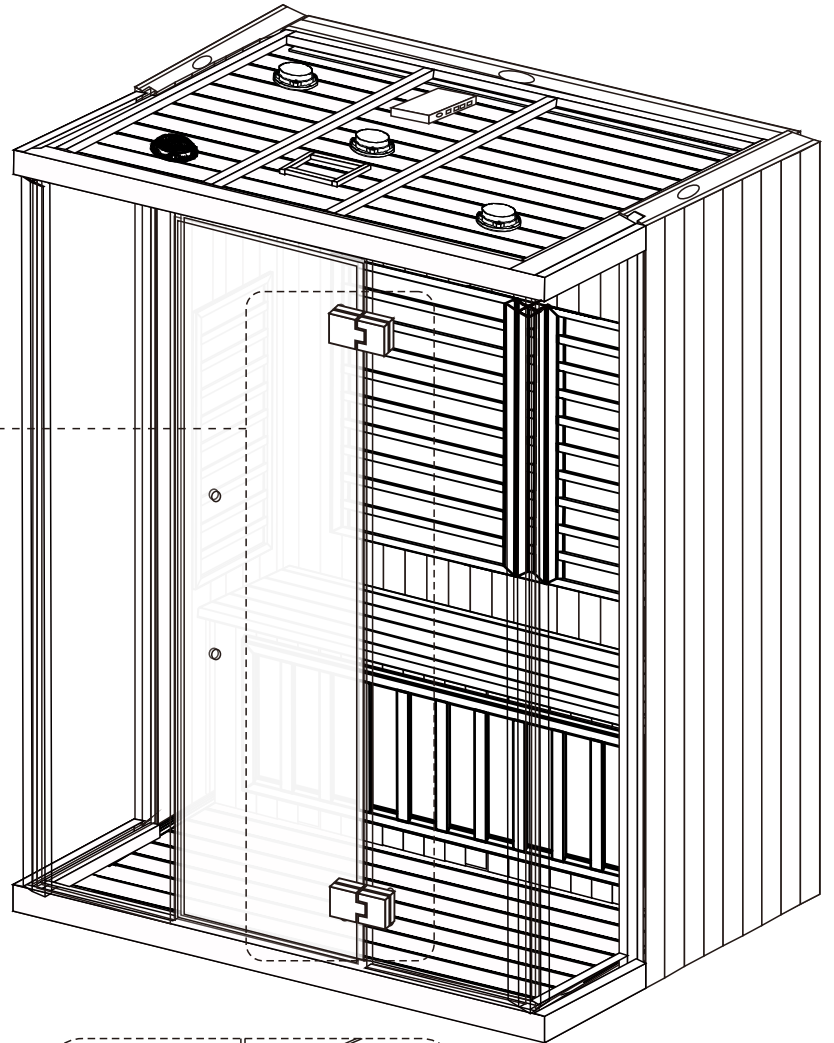
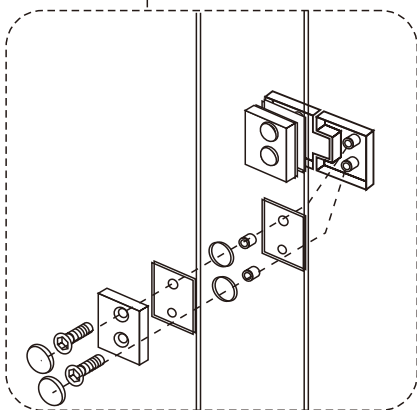
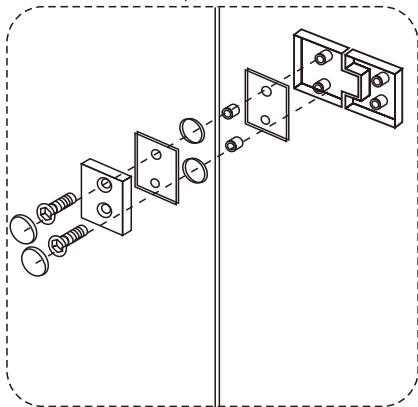
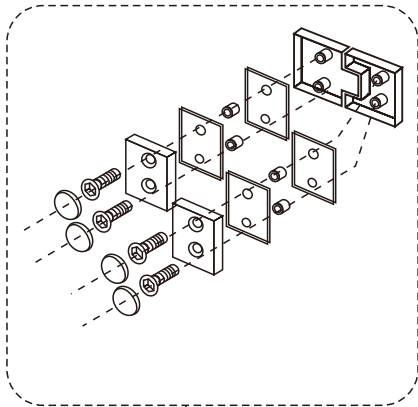
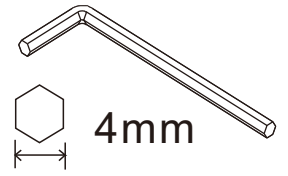
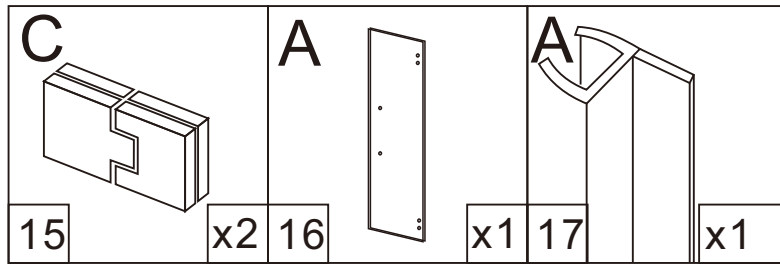
Step: 10



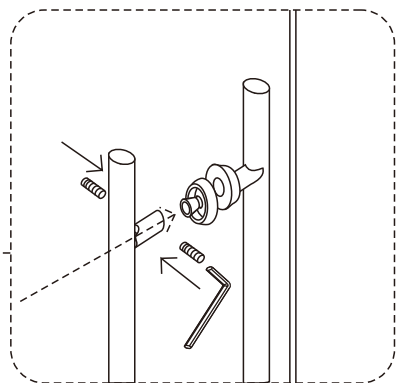
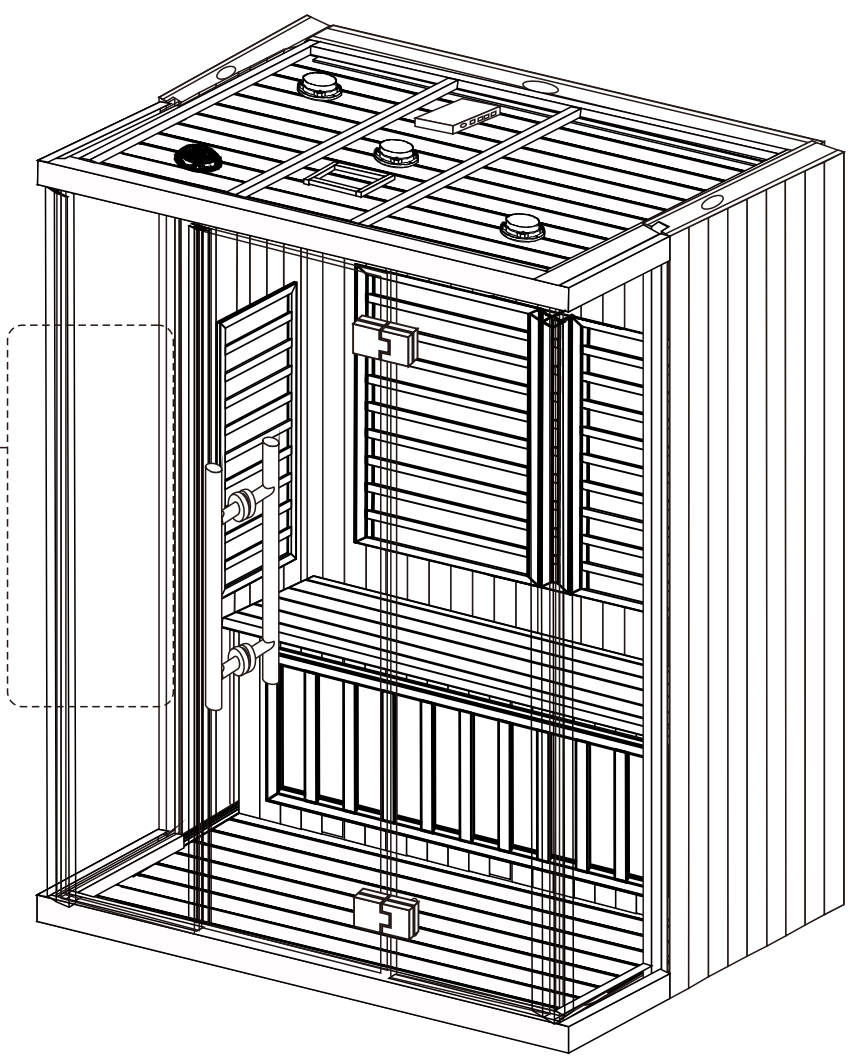
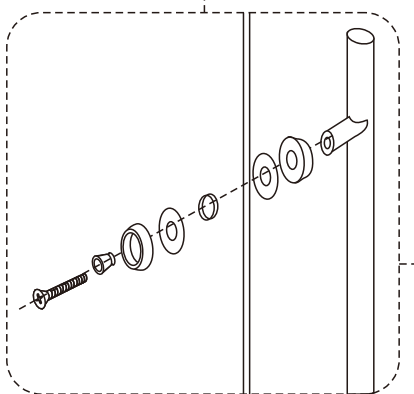
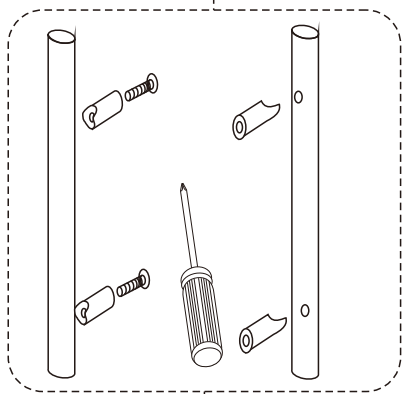
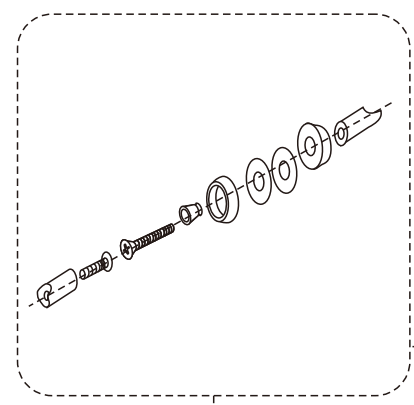
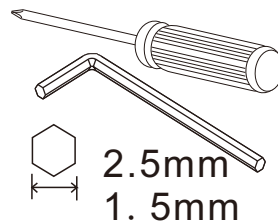
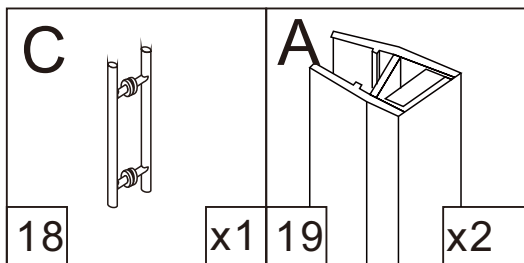
Step: 12






Step: 13

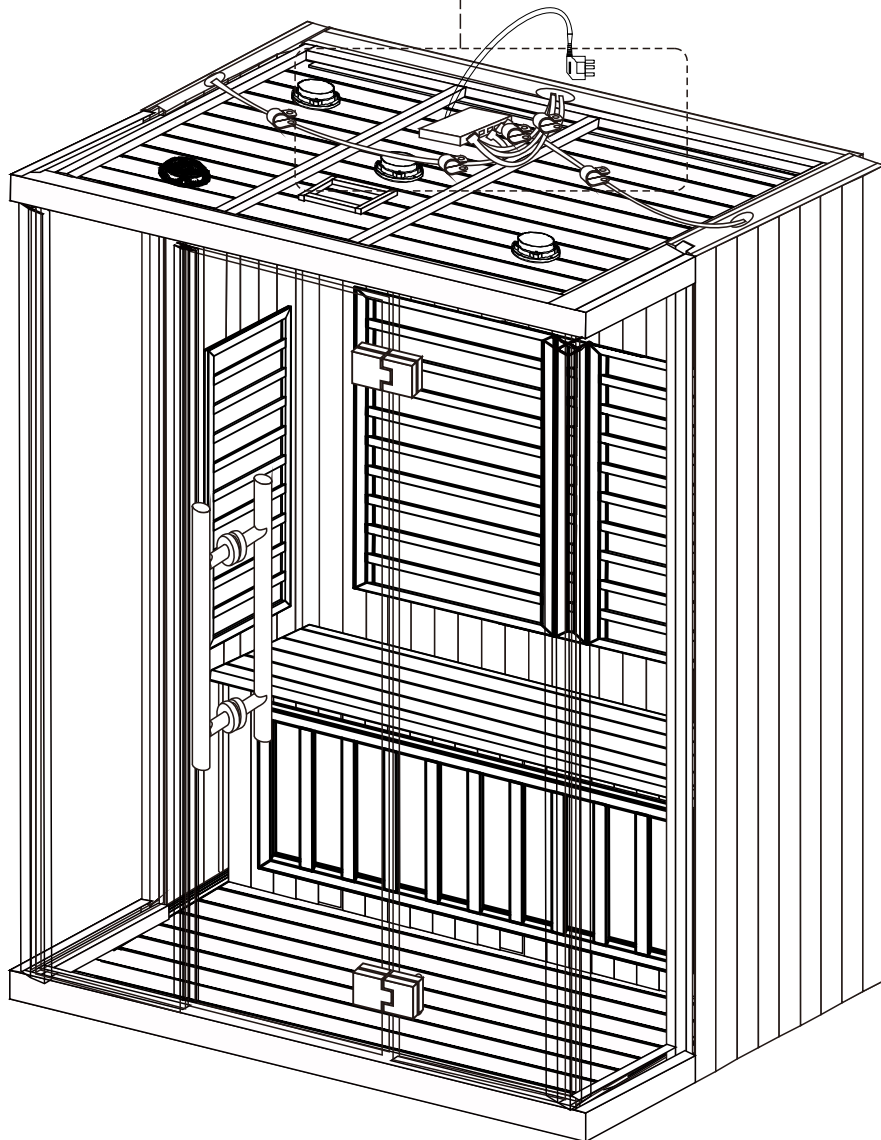
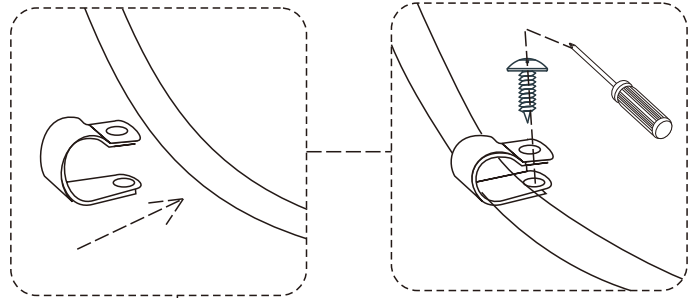


Step: 14

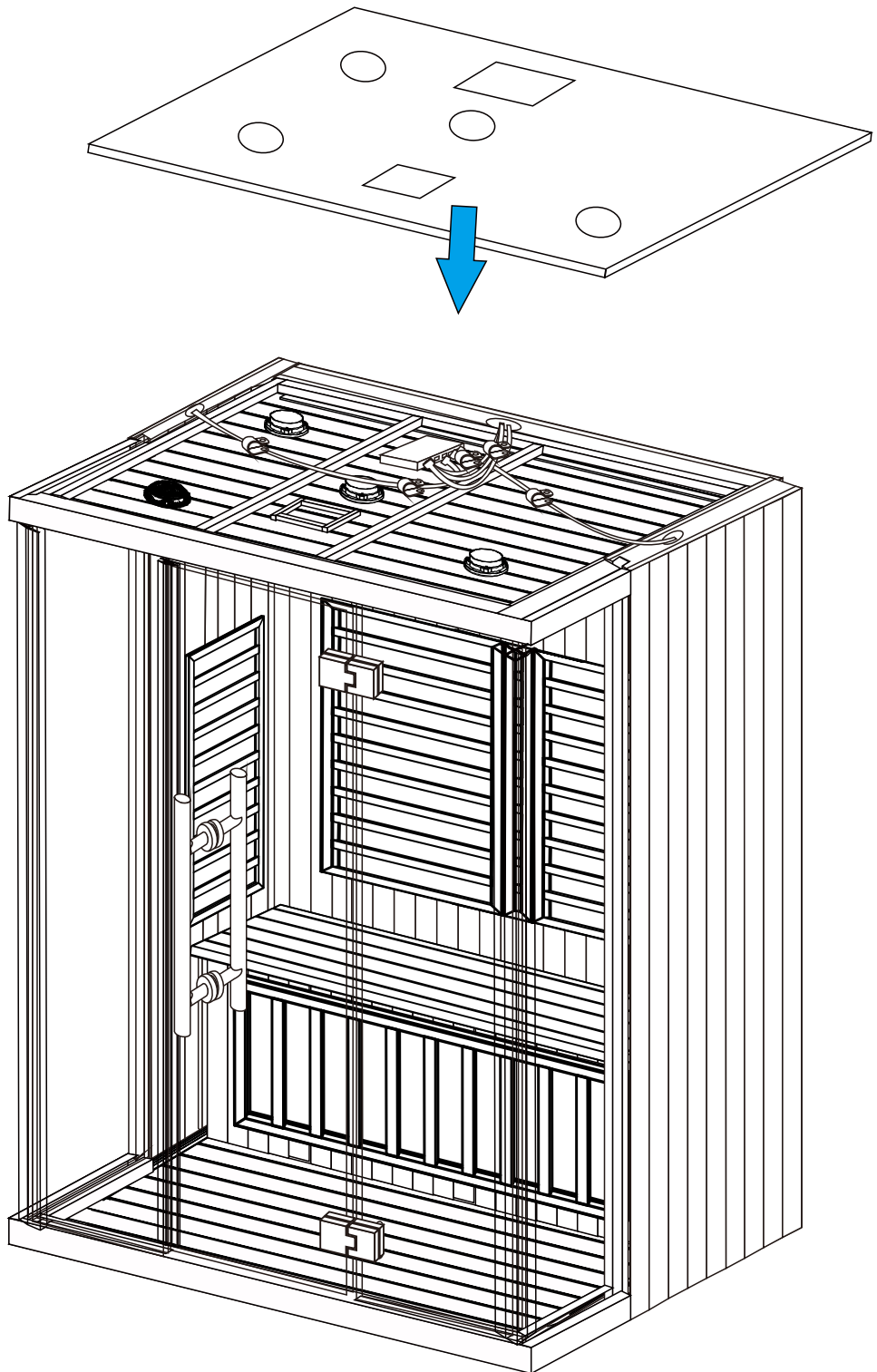
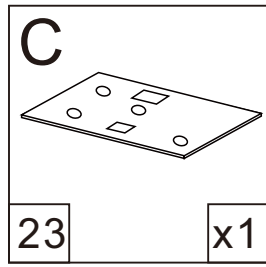


Step: 15

C		C		C	
	ø10 Wire fixer		ø8 Wire fixer		ST 4x12
21	x3	22	x10	25	x13

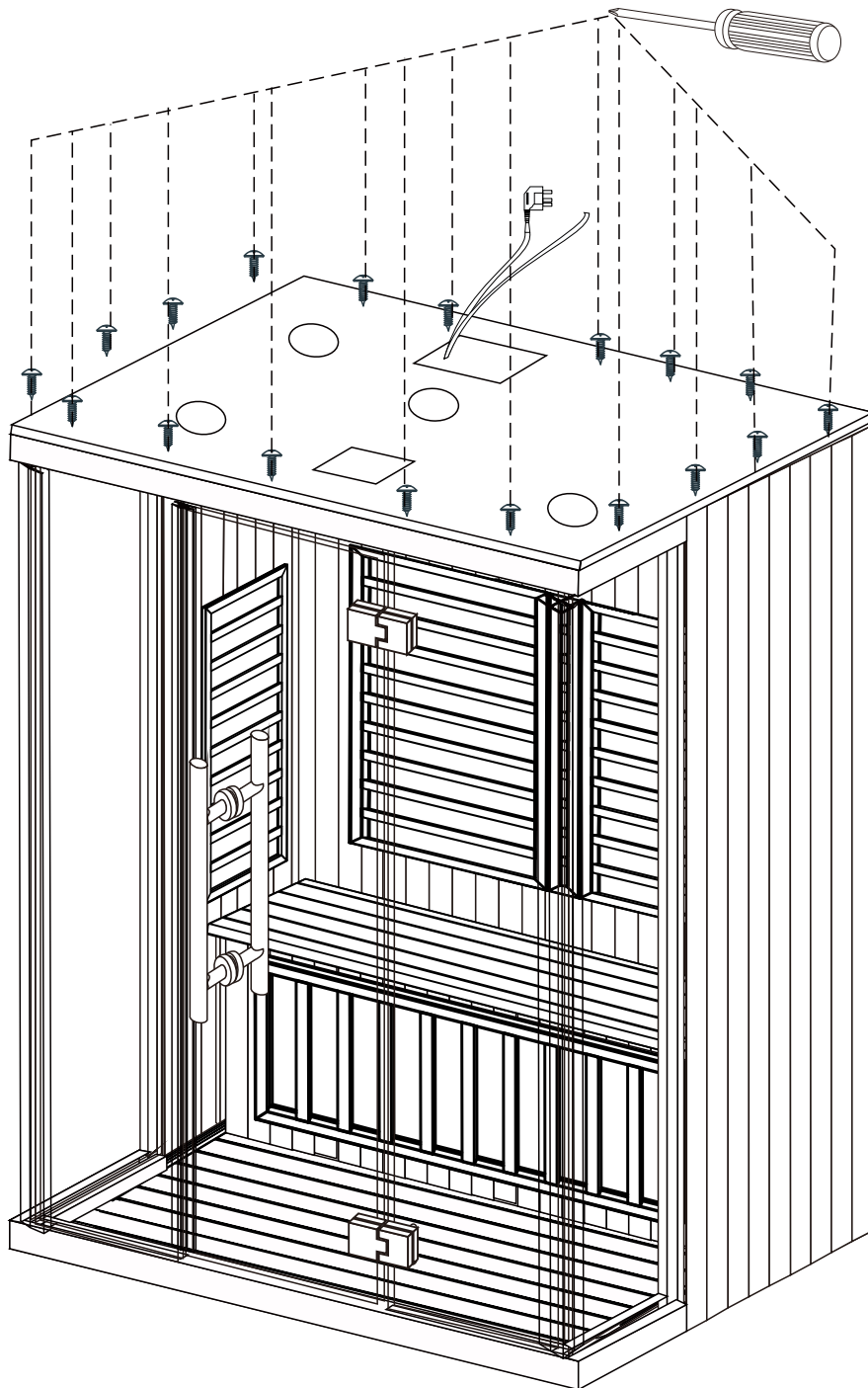
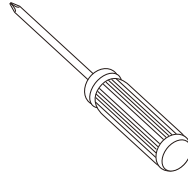
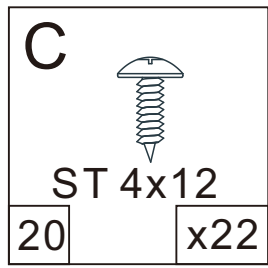


Step: 16



P17

Step: 17



P18